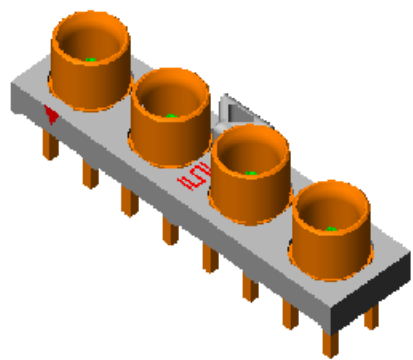
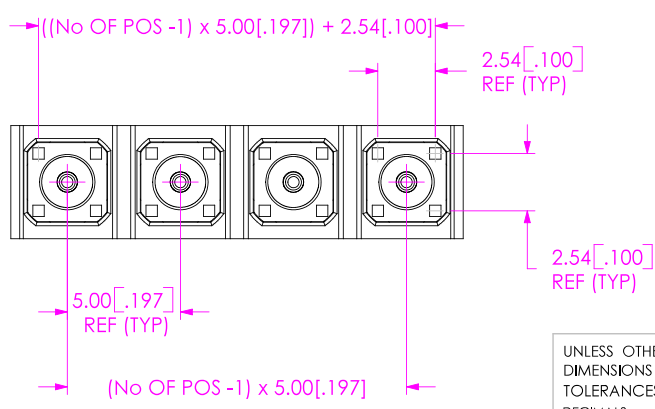
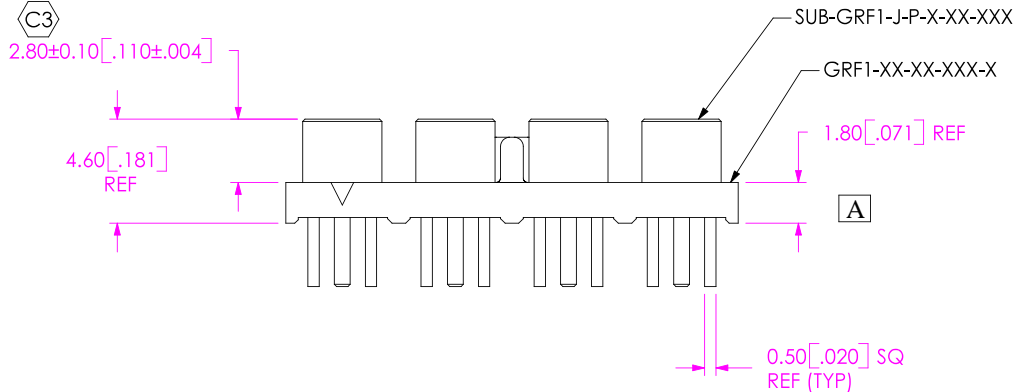
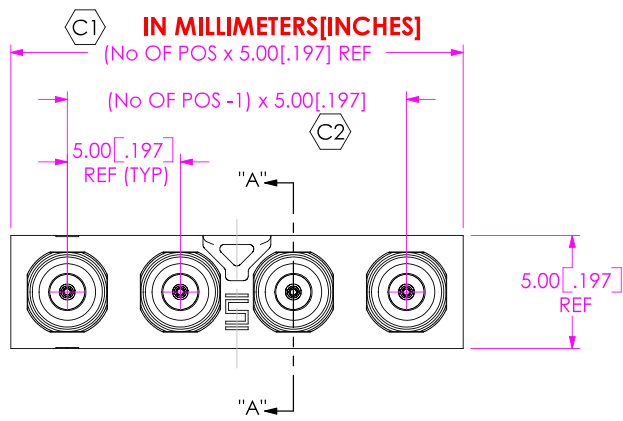


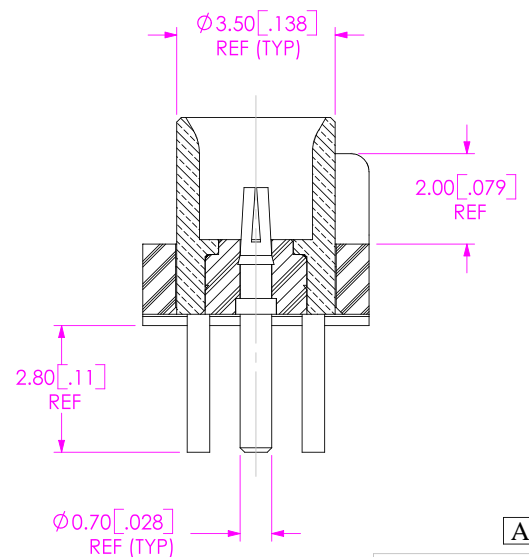
DO NOT SCALE FROM THIS PRINT

DESIGNED & DIMENSIONED

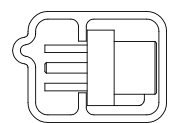


GRF1-J-P-XX-X-XX-XXX-X

- GENDER
-J: JACK
- PCB
-P: PCB MOUNT
- No OF POSITIONS
-02, -04, -06, -08
- PLATING
-E: 50u" GOLD ON CENTER CONDUCTOR CONTACT AREA AND SOLDER TAIL.
3U" GOLD ON SHELL AND SHELL SOLDER TAILS
- INSERT OPTIONS
-E: #1-64 THRU HOLE THREADED INSERT (SEE FIG. 2, SHT 2)
- TERMINATION
-TH1: THRU HOLE
- ORIENTATION
-ST: STRAIGHT



SECTION "A"- "A"
SCALE 6:1



PACKAGING VIEW
USE: PT 1-24-04-36-TP-24

FIG. 1
GRF1-J-P-04-E-ST-TH1 SHOWN

- NOTES:
- © REPRESENTS A CRITICAL DIMENSION.
 - MINIMUM PUSHOUT FORCE: 2.22N [.5 LB].

UNLESS OTHERWISE SPECIFIED, DIMENSIONS ARE IN MILLIMETERS. TOLERANCES ARE:
 DECIMALS ANGLES
 X.X: ±0.3 2°
 X.XX: ±0.13
 X.XXX: ±0.050

PROPRIETARY NOTE
 THIS DOCUMENT CONTAINS INFORMATION CONFIDENTIAL AND PROPRIETARY TO SAMTEC, INC. AND SHALL NOT BE REPRODUCED OR TRANSFERRED TO OTHER DOCUMENTS OR DISCLOSED TO OTHERS OR USED FOR ANY PURPOSE OTHER THAN THAT WHICH IT WAS OBTAINED WITHOUT THE EXPRESSED WRITTEN CONSENT OF SAMTEC, INC.

MATERIAL:
 INSULATOR: L.C.P. COLOR: BLACK
 SHELL: BRASS
 PIN: BeCu
 INSULATOR: TEFLON



SAMTEC

520 PARK EAST BLVD, NEW ALBANY, IN 47150
 PHONE: 812.944.6733 FAX: 812.948.5047
 e-Mail: INFO@SAMTEC.COM CODE: 55322

DESCRIPTION: GANGED RF JACK CONNECTOR
 DWG. NO. GRF1-J-P-XX-X-XX-XXX-X
 BY: CHAD F 9/3/2004 SHEET 1 OF 2

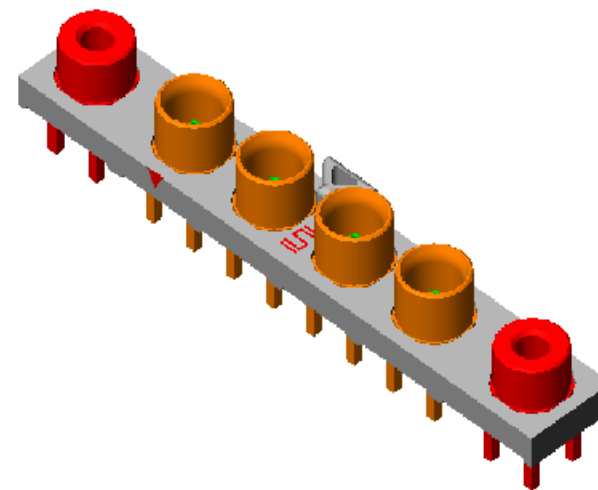
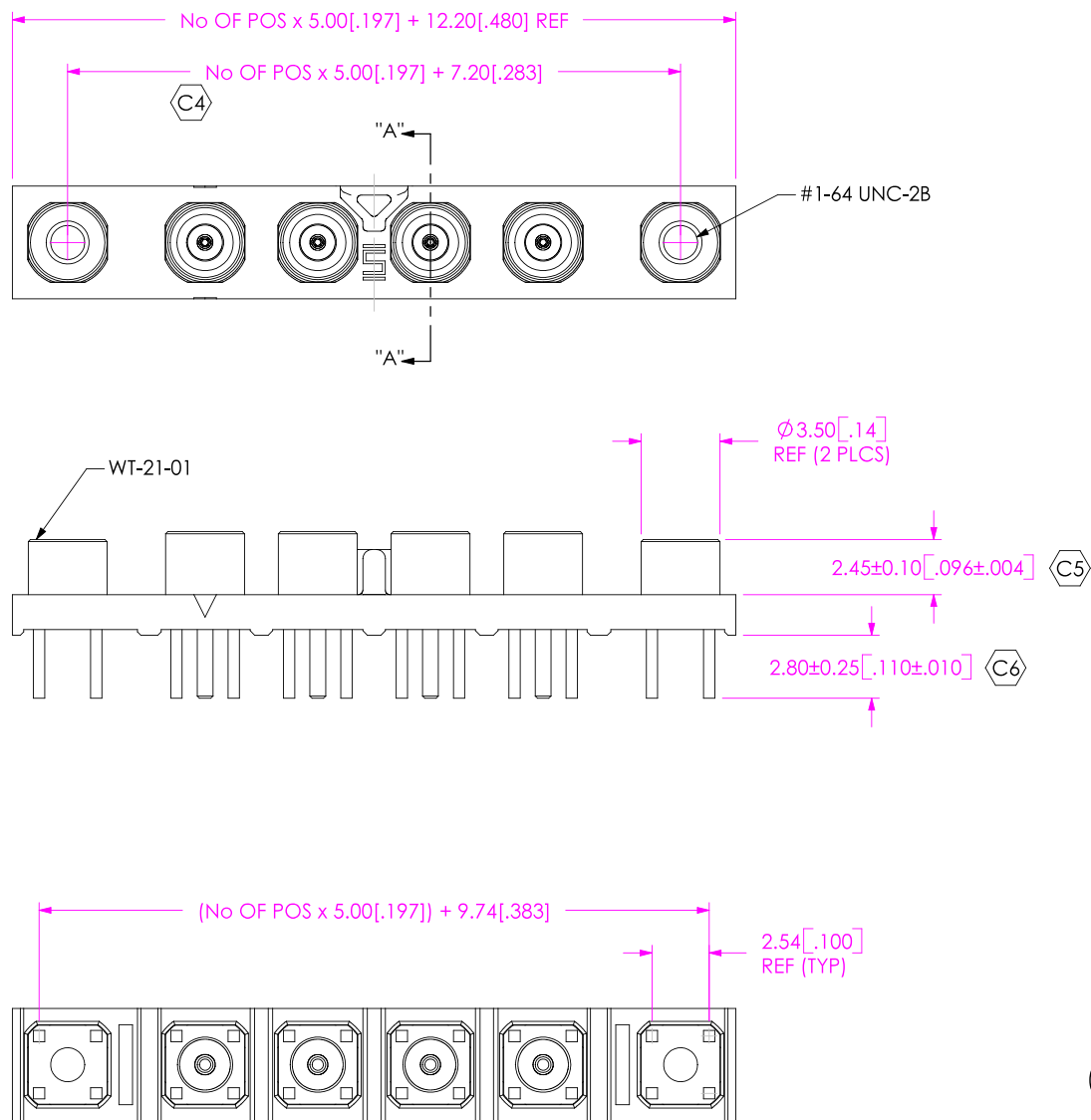


FIG. 2
GRF1-J-P-04-E-ST-TH1-E SHOWN
(SAME AS FIG.1, UNLESS OTHERWISE STATED)

PROPRIETARY NOTE
THIS DOCUMENT CONTAINS INFORMATION CONFIDENTIAL AND PROPRIETARY TO SAMTEC, INC. AND SHALL NOT BE REPRODUCED OR TRANSFERRED TO OTHER DOCUMENTS OR DISCLOSED TO OTHERS OR USED FOR ANY PURPOSE OTHER THAN THAT WHICH IT WAS OBTAINED WITHOUT THE EXPRESSED WRITTEN CONSENT OF SAMTEC, INC.

DO NOT SCALE DRAWING

SHEET SCALE: 3:1

SAMTEC
520 PARK EAST BLVD, NEW ALBANY, IN 47150
PHONE: 812.944.6733 FAX: 812.948.5047
e-Mail: INFO@SAMTEC.COM CODE: 55322

DESCRIPTION: GANGED RF JACK CONNECTOR

DWG. NO. GRF1-J-P-XX-X-XX-XXX-X

BY: CHAD F 9/3/2004 SHEET 2 OF 2